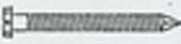
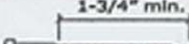
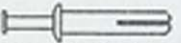











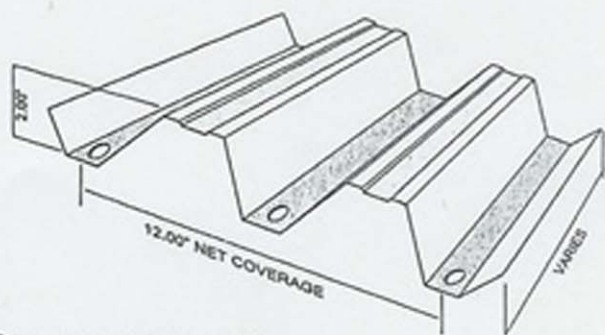
## Tools Checklist

- Gloves
- Pencil
- Tape Measure
- Hammer Drill and/or Electric Drill
- 4' Carpenters Level
- Hammer
- Anchor Set Tool
- Slot Headed Screwdriver
- Battery Acid Syringe or Turkey Baster
- 1/4" Steel Drill Bit
- 1/2" Combination Masonry Drill Bit
- 3/8" Steel Drill Bit
- 5/16" Nut Driver
- 3/8" Hex Head Driver
- Extension Cord
- Permanent Marker

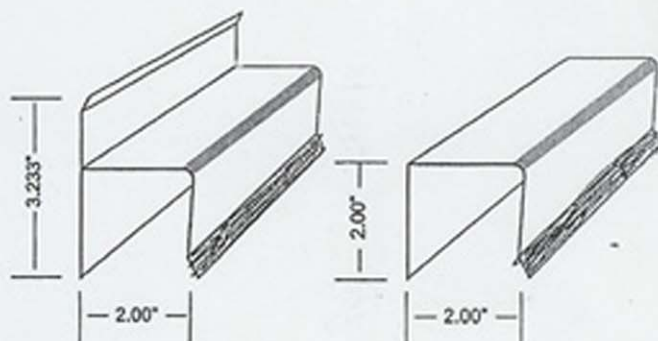
## Suggested Fasteners

Concrete Block	Wood
 1/4" ITW Tapcon with 1-1/4" Minimum Embedment	 1-3/4" min. 1/4" Wood Lag with 1-3/4" Minimum Thread Penetration.
 1/4" POWERS ZMAC™ Nailin With 1-1/8" Minimum Embedment	 7/16" O.D. Brass Bushing with 5/8" Minimum Penetration & 1/4"-20
 7/16" O.D. Brass Bushing with 5/8" Minimum Penetration & 1/4"-20	 3/8 HEX  1/4" ELCO Male/Female Panelmate™ with 1-7/8" Minimum Penetration & 1/4"-20 Sidewalk Bolt
 3/8 HEX  1/4" ELCO Male/Female Panelmate™ with 1-7/8" Minimum Penetration & 1/4"-20 Sidewalk Bolt	<b>Direct Mount</b>  1/4" ELCO Female Panelmate™ with 1/4"-20 Sidewalk Bolt
 1/4-20 Wing nut (Supplied With Panels)	 1/4" POWERS CAULK-IN With 7/8" Embedment & 1/4"-20 Sidewalk Bolt (3/4" Head)

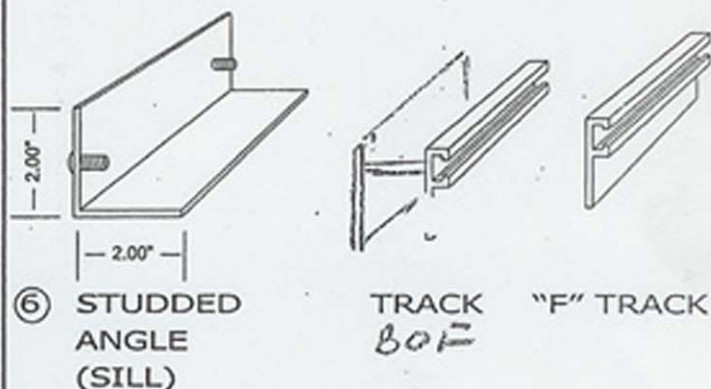
## Panel and Track Types



① STORM PANEL



② "H" HEADER AND "U" HEADER (FOR INSIDE MOUNT)



⑥ STUDDED ANGLE (SILL)